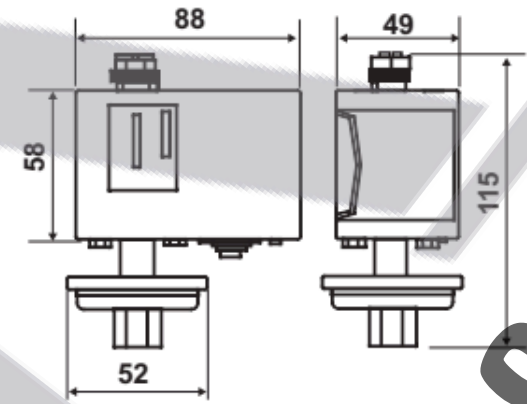


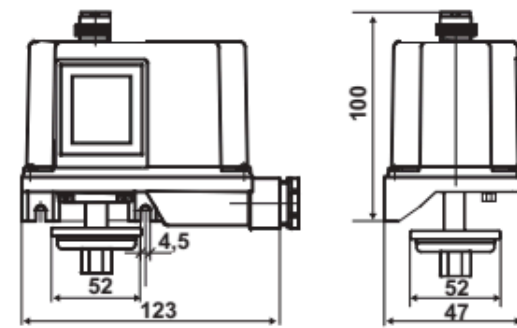
## B11AN

Hydrostats up to 1 bar



	Range bar	Differential* bar	Sensitive element max. pressure bar	Connection G 1/4	Protection degree	Availability
B11AN	0,15 ÷ 1	0,1 fixed	20	female	IP40	in stock
B11AN4	0,15 ÷ 1	0,1 fixed	20	male	IP40	on request

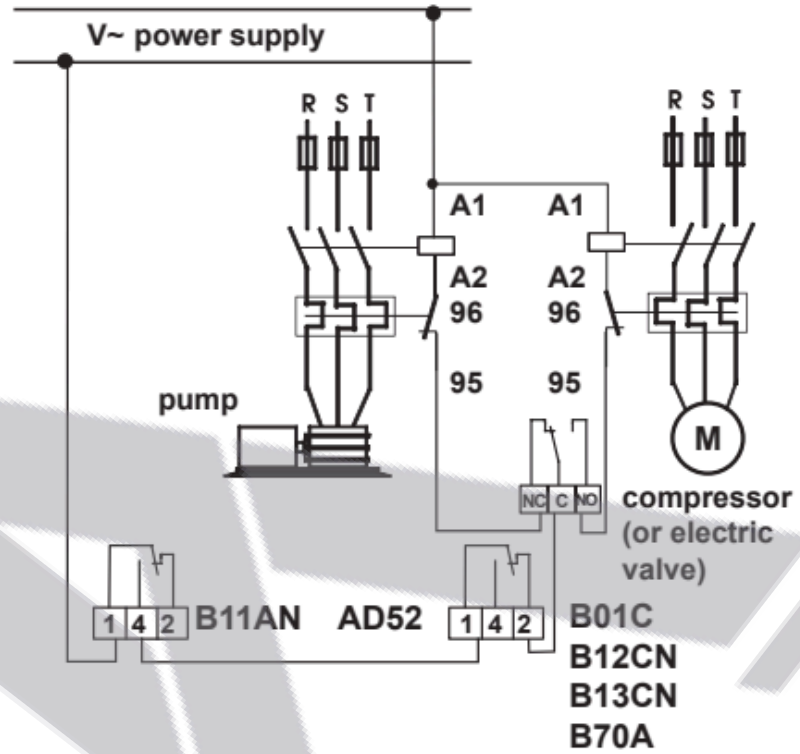
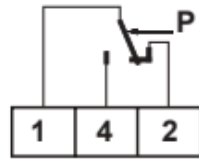
### WATERPROOF CASING EXECUTION



	Range bar	Differential* bar	Sensitive element max. pressure bar	Connection G 1/4	Protection degree	Availability
B11ANY	0,15 ÷ 1	0,1 fixed	20	female	IP65	in stock
B11AN4Y	0,15 ÷ 1	0,1 fixed	20	male	IP65	in stock

1 Bar = 100Kpa \*The differential must be deducted from the range value.

## EXAMPLE OF ELECTRICAL WIRING



Nominal insulation tension	Ui 415V~		
Continuous duty nominal current	Ith 16A		
Operating nominal current Ie		220V~	380/415V~
Resistive load	AC-11	-	16A
Inductive load	AC-3	-	6A
Continuous current	DC-13	0,2A	-

## HOMOLOGATION AND STANDARDS

Complies with EN 60947-1 and 60947-5-1 standards.

CE 0497

## INSTALLATION

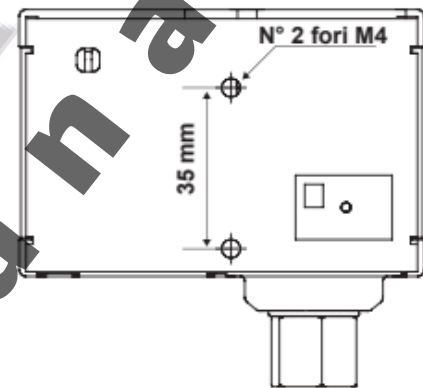
Direct installation on the pipe.

Pressure element connection G 1/4.

In case of fluid temperatures higher than the maximum allowed, connect the pressure switch to the pipe by inserting a metallic spiral between the pressure switch and the pipe to facilitate heat dispersion.

Possibility of mounting on metallic clamp, except for the waterproof casing versions.

## MOUNTING MODEL



## OPERATION

When pressure increases: 1-2 opens, 1-4 closes.

## FEATURES

Elements in contact with the fluid are in stainless steel, laser welded.

Metallic frame.

Cover in shockproof thermoplastic material.

Output connections with PVC cable gland.

Connection G 1/4.

Maximum temperature of the controlled fluid: 120 °C.

Pressure switch body admissible temperature: -35 ÷ 60 °C.

Storage and transport temperature: -35 ÷ 60 °C.

Unit weight: 0,47 Kg. B11AN.

## ACCESSORIES



303298LA

G1/2 cable gland in V0 self-extinguishing, shockproof thermoplastic material for output connections.



2593367

Protection casing IP44