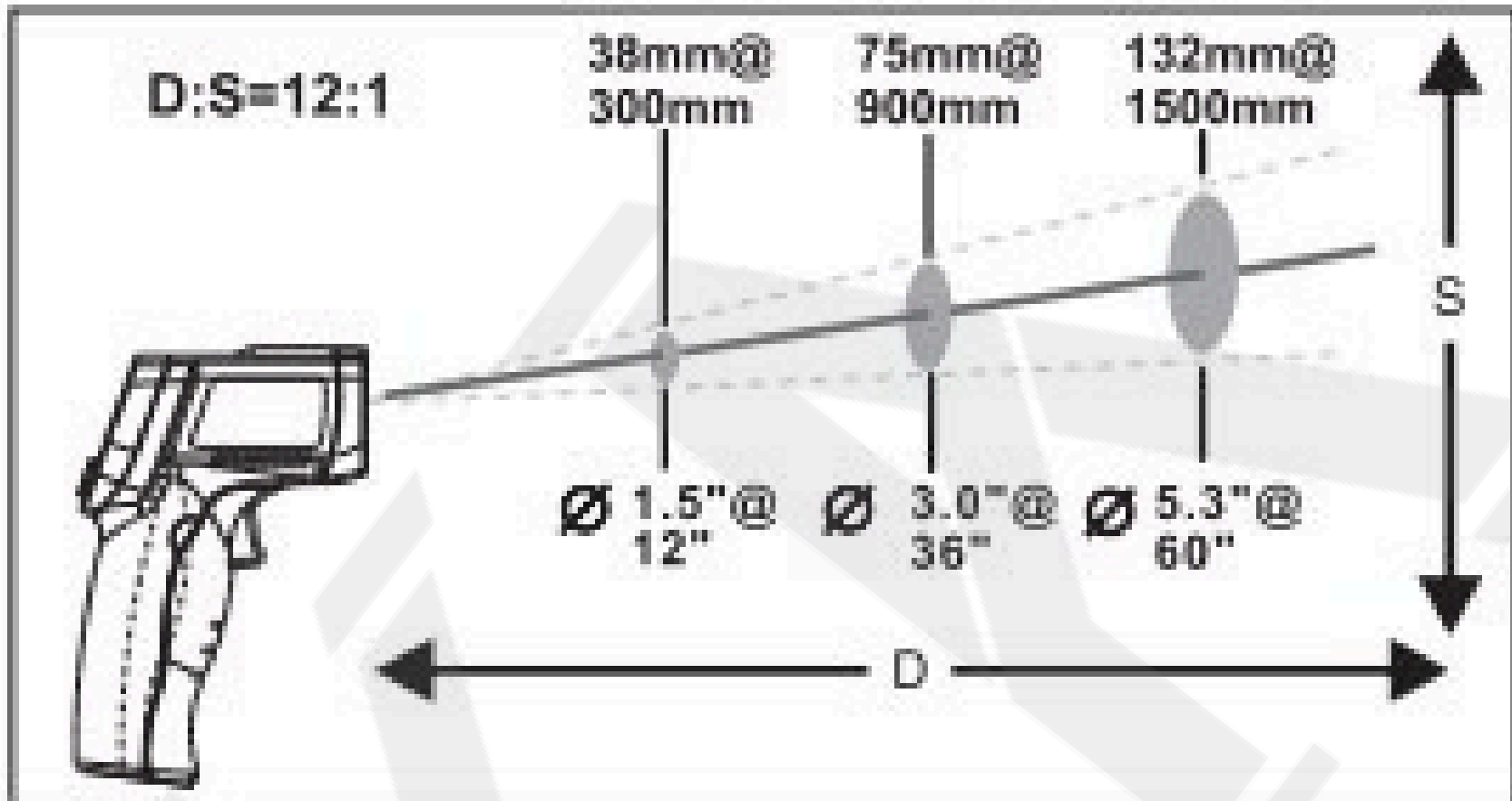


## Infrared thermometer Instruction manual



Version: GM550E-EN-02



Material	Emissivity	Material	Emissivity
Aluminum	0.30	Iron	0.70
Asbestos	0.95	Lead	0.50
Asphalt	0.95	Limestone	0.98
Basalt	0.70	Oil	0.94
Brass	0.50	Paint	0.93
Brick	0.90	Paper	0.95
Carbon	0.85	Plastic	0.95
Ceramic	0.95	Rubber	0.95
Concrete	0.95	Sand	0.90
Copper	0.95	Skin	0.98
Dirt	0.94	Snow	0.90
Frozen food	0.90	Steel	0.80
Hot food	0.93	Textiles	0.94
Glass(plate)	0.85	Water	0.93
Ice	0.98	Wood	0.94

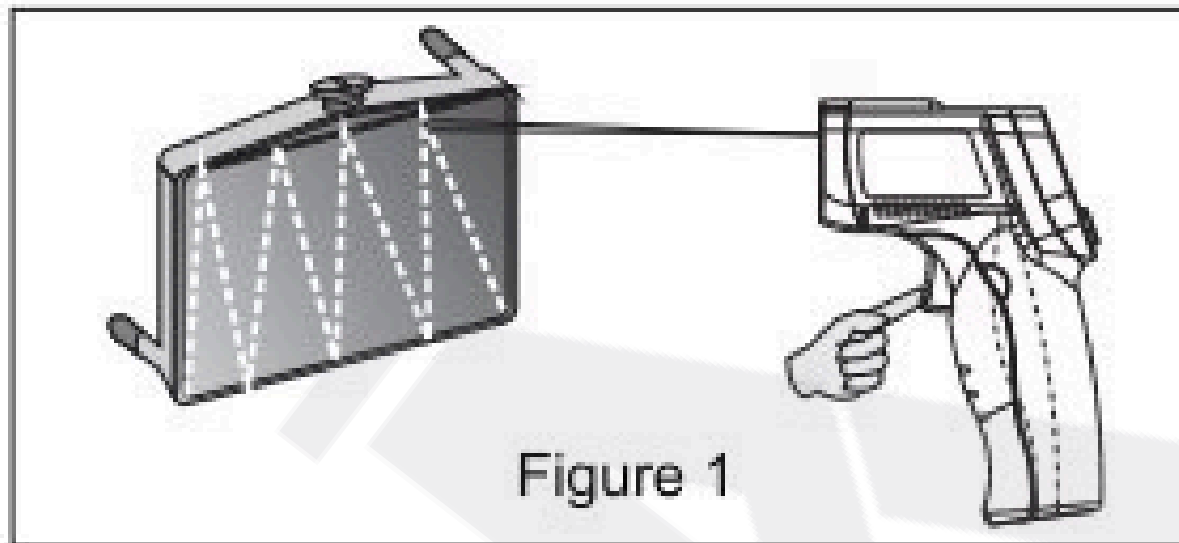
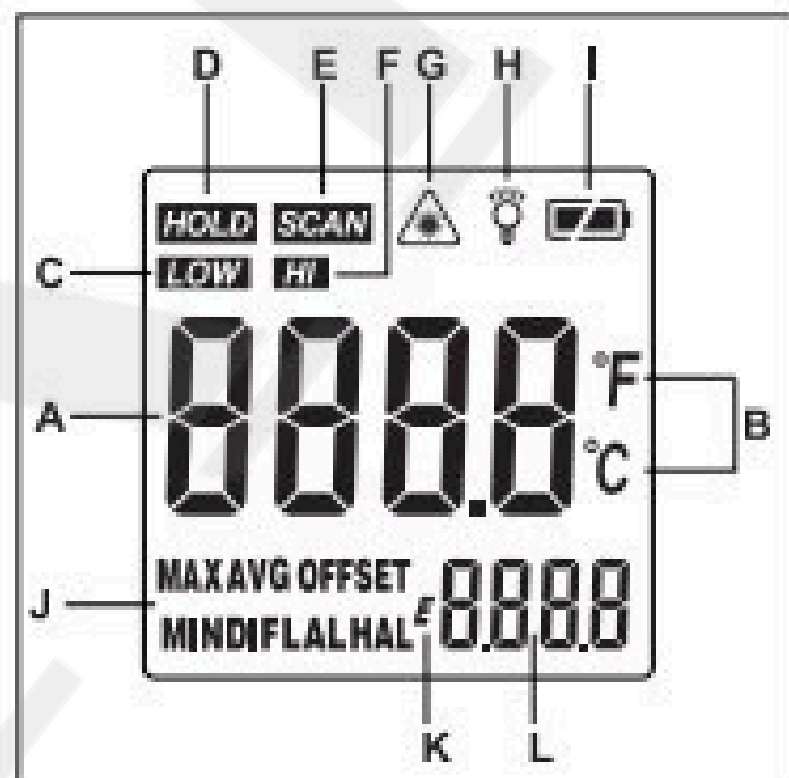


Figure 1

## F. LCD display & buttons

### 1. LCD display:

- A: measuring reading
- B: measuring unit
- C: low temperature alarm icon
- D: data hold icon
- E: scanning icon
- F: high temperature alarm icon
- G: laser on icon
- H: back light on icon
- I: battery power icon
- J: mode
- K: emissivity indicator
- L: functional value



### 2. Diagram description: (figure 2)

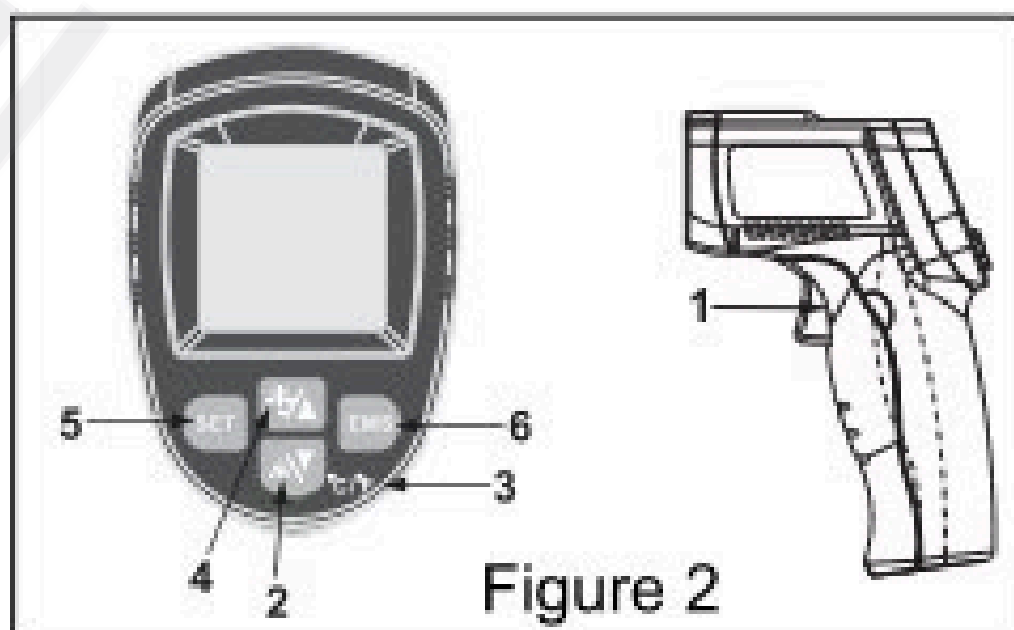


Figure 2