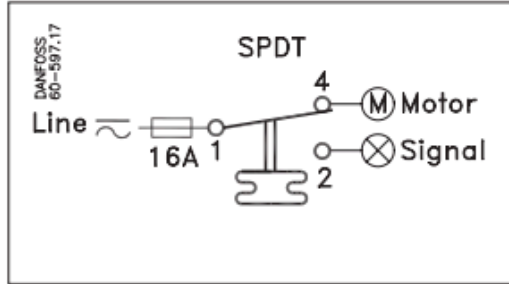
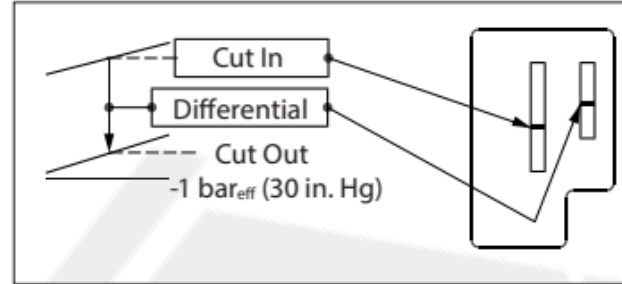


Contact 1-4 opens on pressure drop



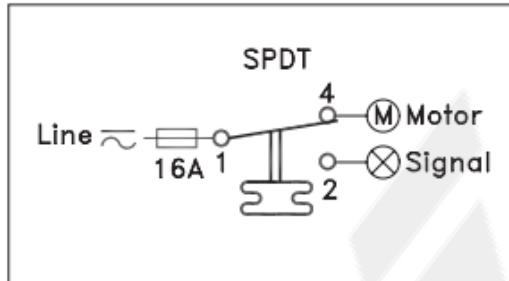
KP 1, KP 2, KP 4



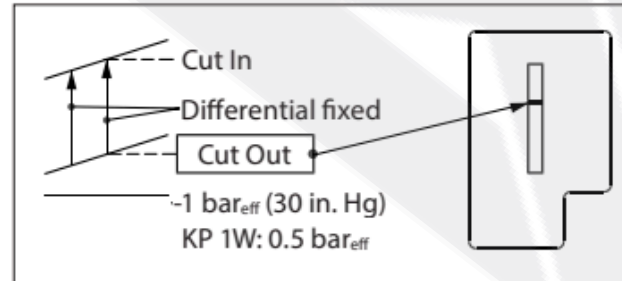
| | | |
|-------------|------------|-------|
| AC 1: 16 A | 400 V a.c. | DC 13 |
| AC 3: 16 A | | 12 W |
| AC 15: 10 A | | 220 V |

Short circuit protection:
Fuse 16 Amp.

Contact 1-4 opens on pressure drop



KP 1W, KP 1 manual reset



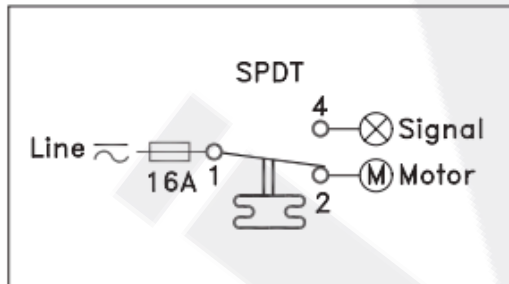
When used acc. to UL regulations

UL US LISTED Listed refrigeration controller 61B5

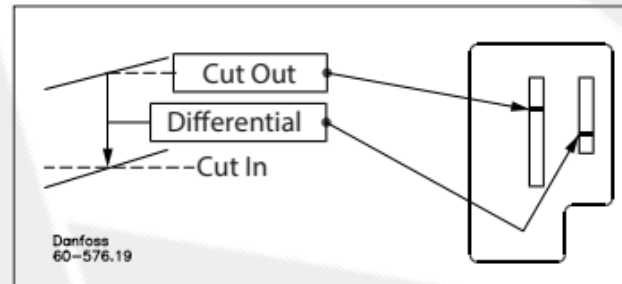
| Voltage | AC | DC | FL | LR | Resist. load | Pilot duty |
|---------|-----|----|----|----|--------------|------------|
| | | | A | A | | |
| 240 | — | — | 8 | 48 | 8 A | 3A |
| 120 | — | — | 16 | 96 | 16 A | |
| — | 240 | — | — | — | — | 12 W |

Use copper wire only
Tightening torque 20 lb. in.

Contact 1-2 opens on pressure rise

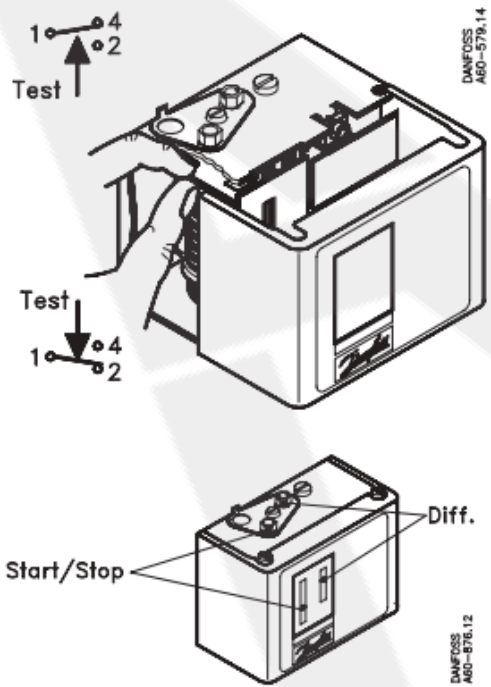


KP 5, KP 5A, KP 6, KP 6A, KP 7

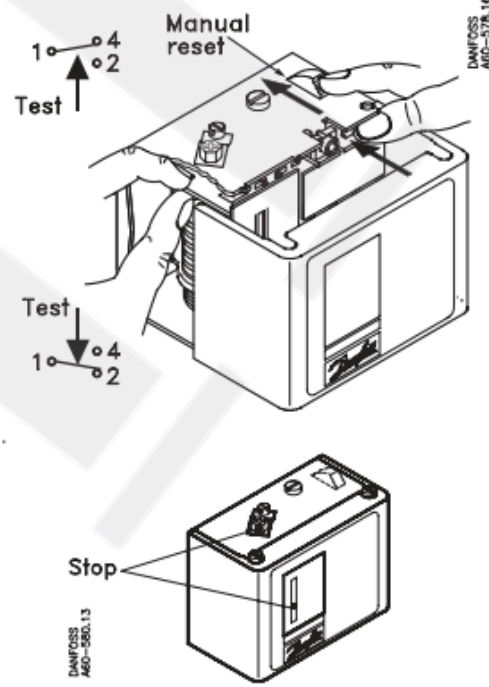


Manual trip function

Automatic reset



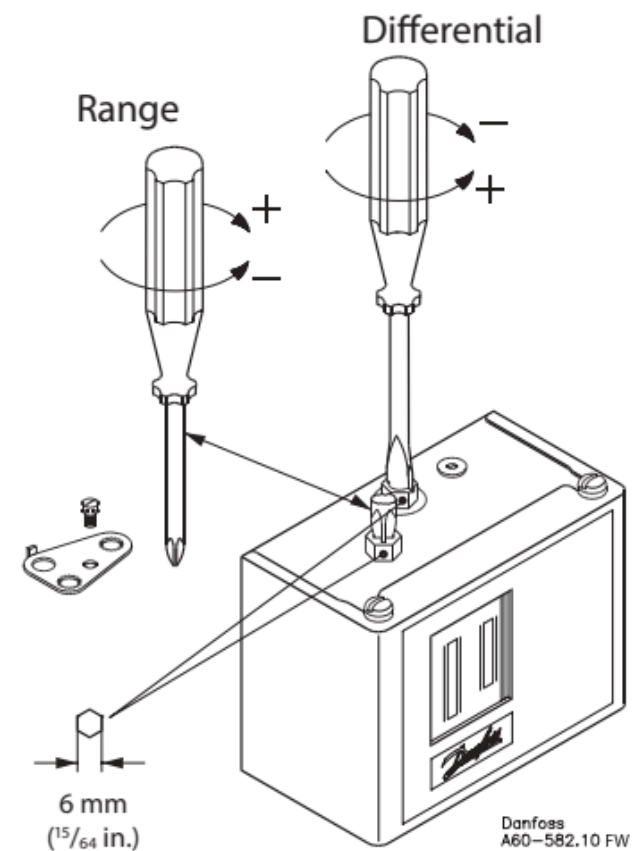
Manual reset



| Type | Differential |
|---|------------------|
| KP 1, KP 1A | 0.7 bar (10 psi) |
| KP 5, KP 5A | 3 bar (43 psi) |
| KP 6B, KP 6S, KP 6AB, KP 6AS, KP 7B, KP 7S | 4 bar (58 psi) |

Note:
use FINGERS ONLY!
(Do NOT use screwdriver)

Adjustment



Pressure switch, KP 1, KP 1W, KP 1A, KP 2, KP 4, KP 5, KP 5A, KP 6W, KP 6B, KP 6S, KP 6AW, KP 6AB, KP 6AS, KP 7W, KP 7B, KP 7S



060R9750

Refrigerants:

R22, R134a, R404A, R407A, R407C, R407F, R410A*) R422B, R422D, R448A, R449A, R452A, R507A, R513A, R717**)

For complete list of approved refrigerants, go to <http://products.danfoss.com/all-products/>

*) only for KP 6W, KP 6B, KP 6S, KP 6AW, KP 6AB, KP 6AS

***) only for KP 1A, KP 5A, KP 6AW, KP 6AB, KP 6AS

KP 1, KP 2, KP4
KP 5, KP 6, KP 7



KP 1, KP 2, KP4
KP 5, KP 6, KP 7



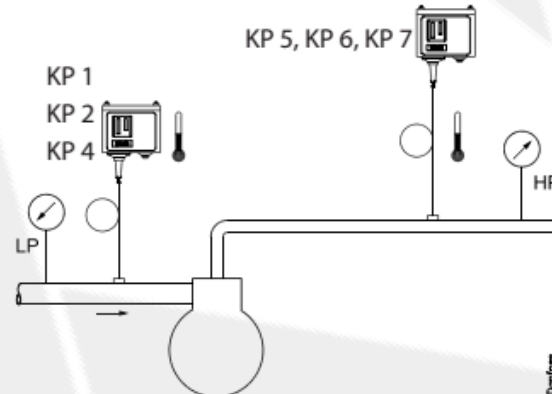
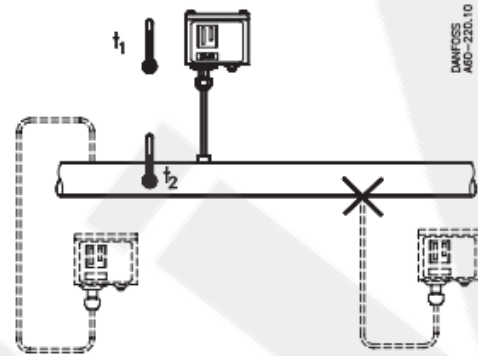
KP 1A, KP 5A



060R9750

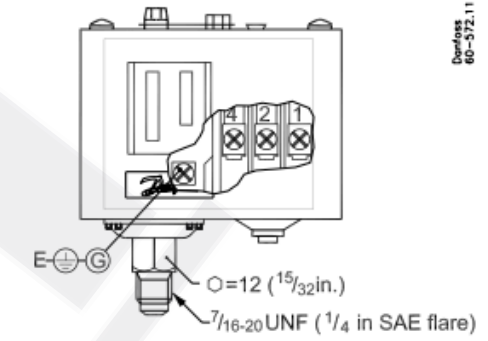
Ambient temperatures / Mounting requirements

-40 – 65 °C
-25 – 65 °C (PED approved units)

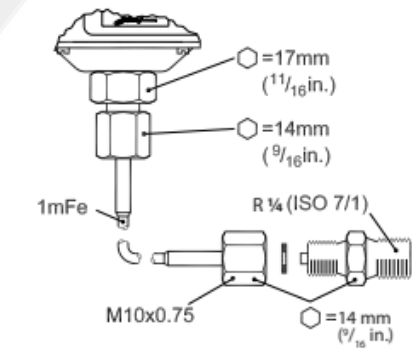


Relative humidity RH: 30 – 98%
Vibrations resistance: 4 g (10 – 1000 Hz)

Connections

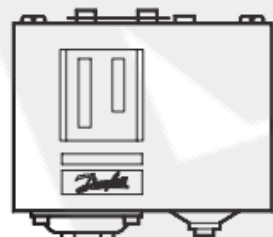


Connections for KP 1A, KP 5A, KP 6AS



Test pressure (P_{test}) PS/MWP

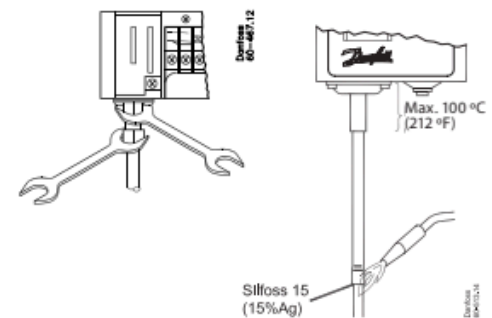
| | | |
|------------------------------|------------------------------------|--|
| P_{test}max.: | | |
| KP 1, KP 2: | 20 bar p _e (285 psig) | |
| KP 2: | 12 bar p _e (174 psig) | |
| KP 4: | 24 bar p _e (343 psig) | |
| KP 5, KP 7: | 35 bar p _e (510 psig) | |
| KP 6: | 46,5 bar p _e (675 psig) | |



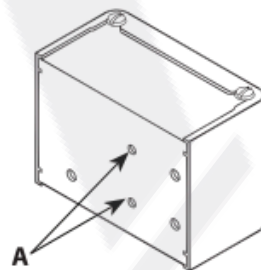
| Type | Regulation range | PS/MWP |
|-------------|------------------|---------------------|
| KP 1 | -0.2 – 7.5 bar | 245 psig / 17 bar |
| KP 1, reset | -0.9 – 7.0 bar | 245 psig / 17 bar |
| KP 1 W | 0.5 – 3.0 bar | 245 psig / 17 bar |
| KP 2 | -0.2 – 5.0 bar | 245 psig / 17 bar |
| KP 2 | -0.2 – 3.5 bar | 145 psig / 10 bar |
| KP 4 | -0.2 – 7.5 bar | 312 psig / 21,5 bar |
| KP 5 | 8 – 32 bar | 510 psig / 35 bar |
| KP 6 | 8 – 42 bar | 675 psig / 46,5 bar |
| KP 7 | 8 – 32 bar | 510 psig / 35 bar |

PS/MWP
(Maximum Working Pressure)

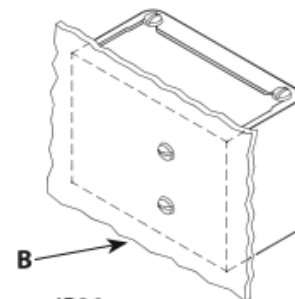
Mounting



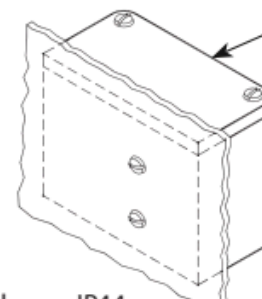
Enclosure



A: 8 – 32 UNC (M4)



B: Enclosure IP30
(EN 60529)



C: Enclosure IP44
(EN 60529)

max. 3 mm (1/8 in.)

Danfoss
60-100.10 FW

DANFOSS
A60-957.11.10

Імпортёр: ТОВ з іі "Данфосс ТОВ" 04080, Київ 80, п/с 168, Україна

Info for UK customers only: Danfoss Ltd., 22 Wycombe End, HP9 1NB, GB